



WATTSON POWER

Wattson Power B.V.
Wassenaarseweg 20
2596 CH Den Haag

T: +31 6 298 78 836
E: sales@wattsonpower.nl
W: www.wattsonpower.nl



WATTSON POWER

PV ROOF SHELTERS TECHNICAL INFORMATION

IBAN

NL51 INGB 000 743 7547

KVK

661 71 458

BTW

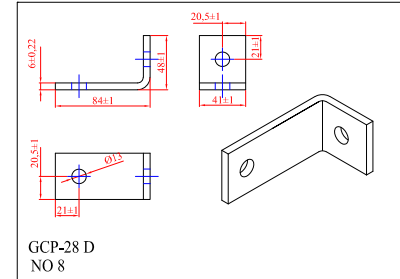
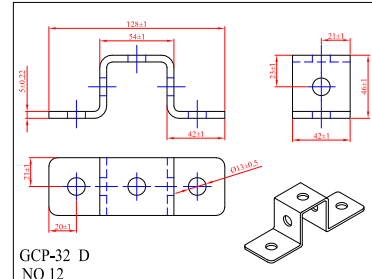
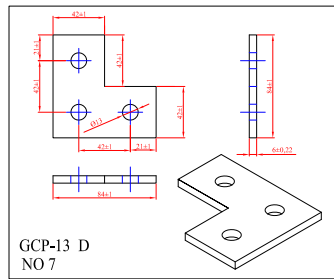
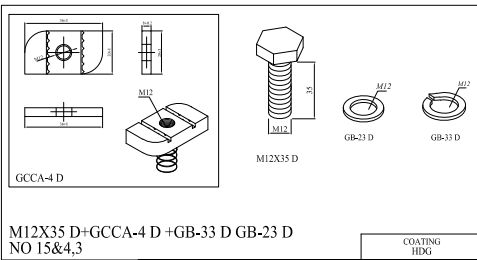
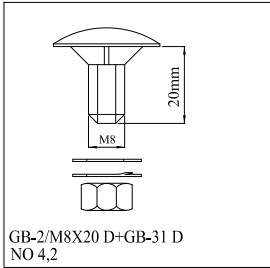
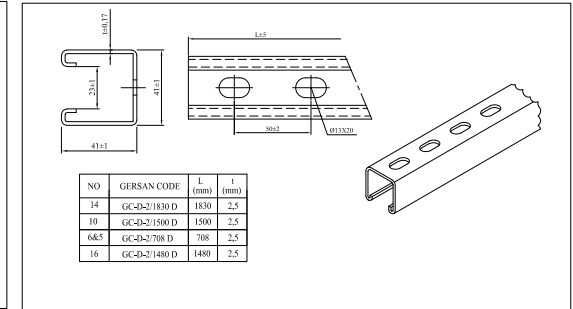
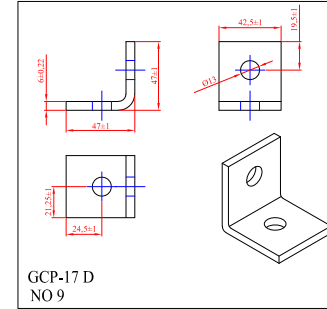
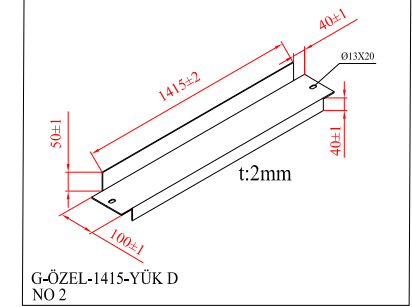
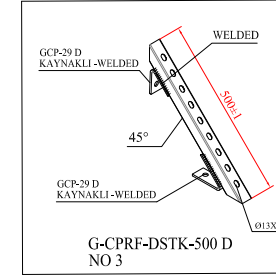
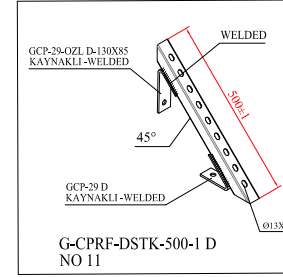
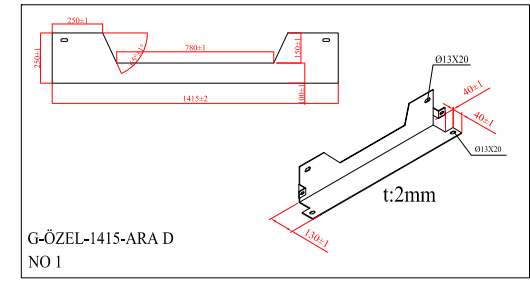
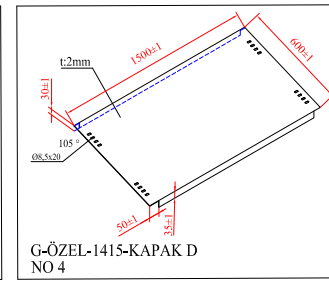
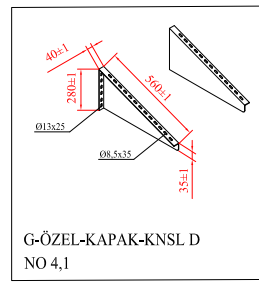
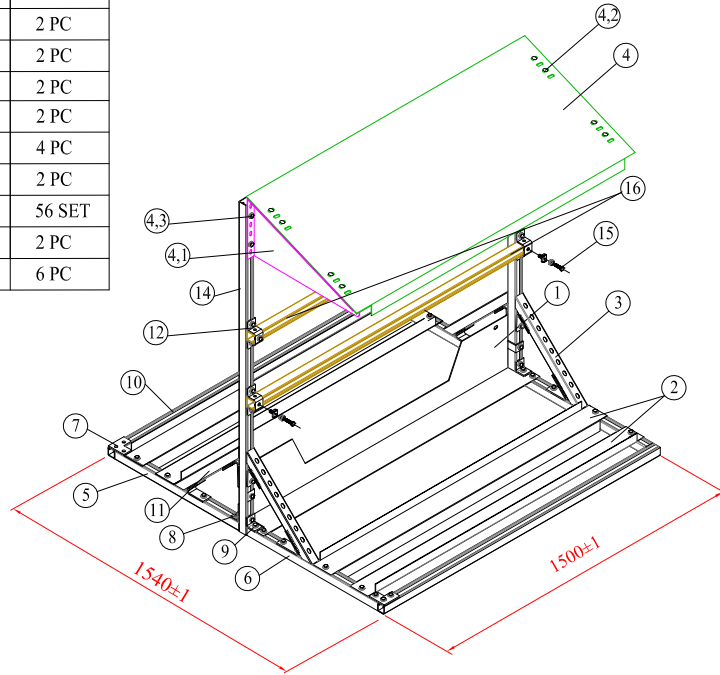
NL 8564 26325 B01

BIC

INGBNL2A

PART NO	WATTSON POWER CODE	PC
1	G-ÖZEL-1415-ARA D	1 PC
2	G-ÖZEL-1415-YÜK D	4 PC
3	G-CPRF-DSTK-500 D	2 PC
4	G-ÖZEL-1415-KAPAK D	1 PC
4,1	G-ÖZEL-KAPAK-KNSL D	2 PC
4,2	GB-2/M8X20 D+GB-31 D	8 PC
5&6	GC-D-2/708 D	4 PC
7	GCP-13 D	4 PC
8	GCP-28 D	2 PC
9	GCP-17 D	2 PC
10	GC-D-2/1500 D	2 PC
11	G-CPRF-DSTK-500-1 D	2 PC
12	GCP-32 D	4 PC
14	GC-D-2/1830 D	2 PC
15&4,3	M12X35 D+GCCA-4 D+GB-33 D GB-23 D	56 SET
16	GC-D-2/1480 D	2 PC
20	RUBBER FOOT	6 PC

TYPE-1



DRAWN BY	G.GÜMÜŞOK	DOCUMENT NO	1
CHECKED BY	O.KAPUSUZ	REVISION NO	1
APPROVED BY	A.WIERSMA / İ.ERGIN M.GÜNAL	REVISION HISTORY	1
PAGE NO	1	PUBLICATION DATE	18.04.2023

SCALE

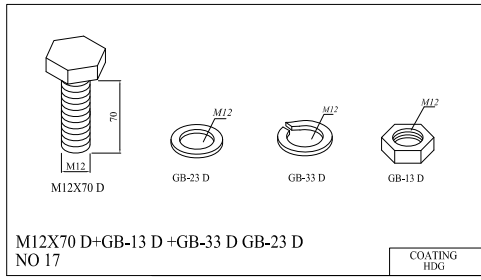
WELDING
135 MAG WELDING

MATERIALS
EN 10204 3.1

COATING
HOT DIP GALVANISED BS EN ISO 1461

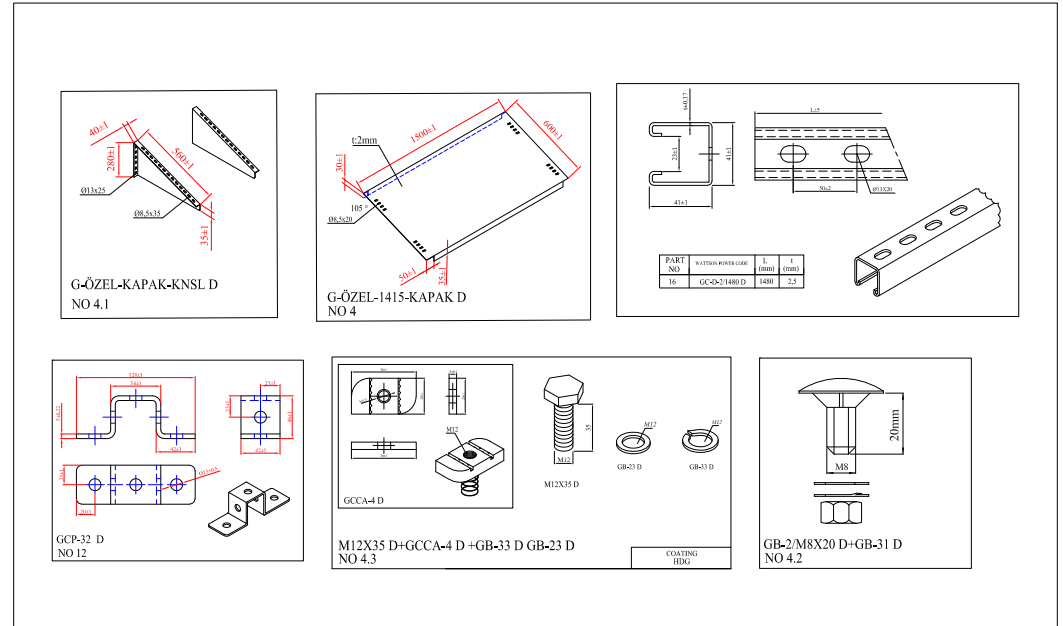
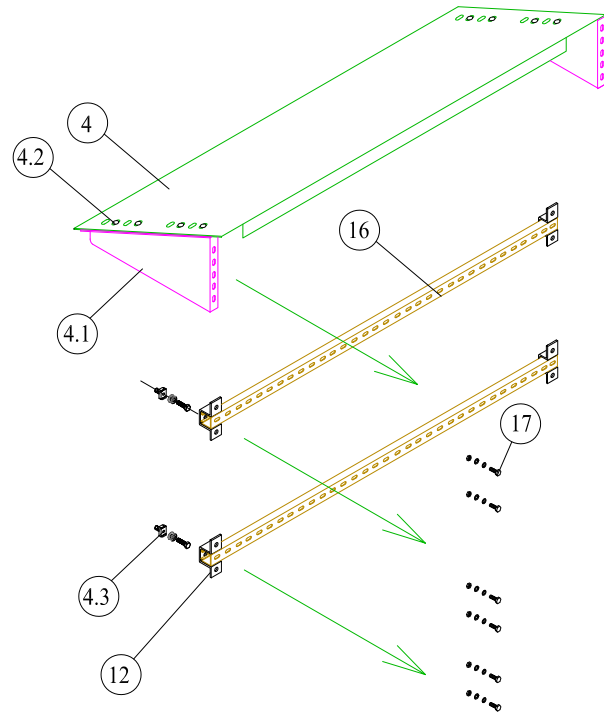
PV SHELTER
TYPE-1

WATTSON POWER



TYPE-2

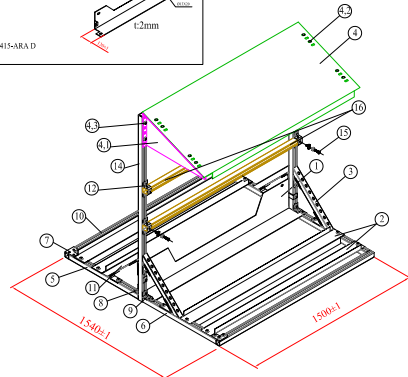
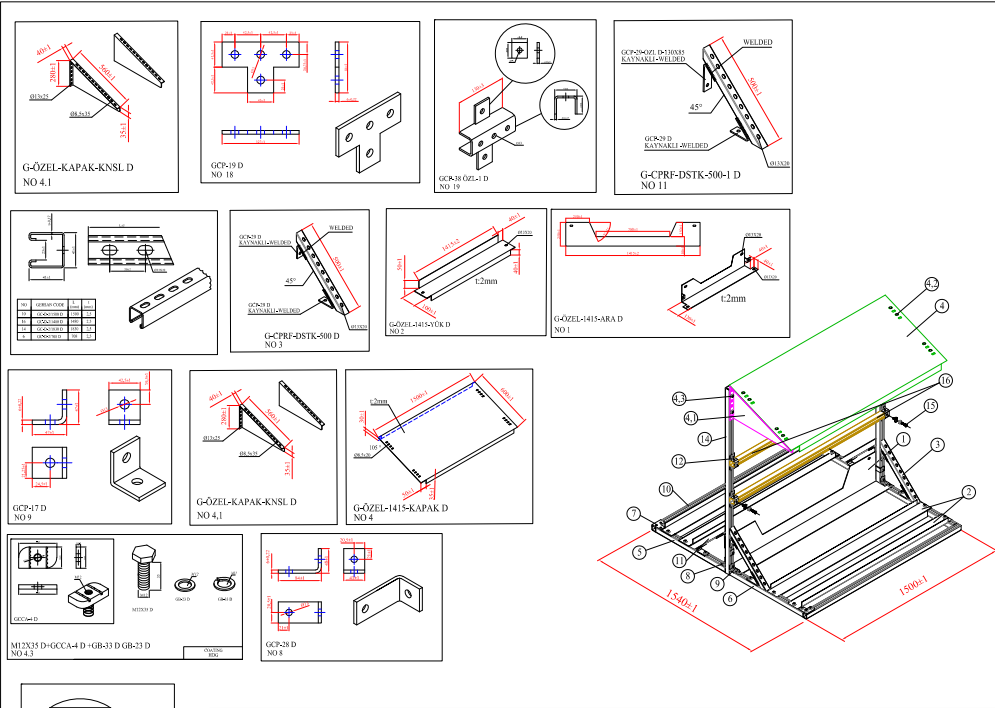
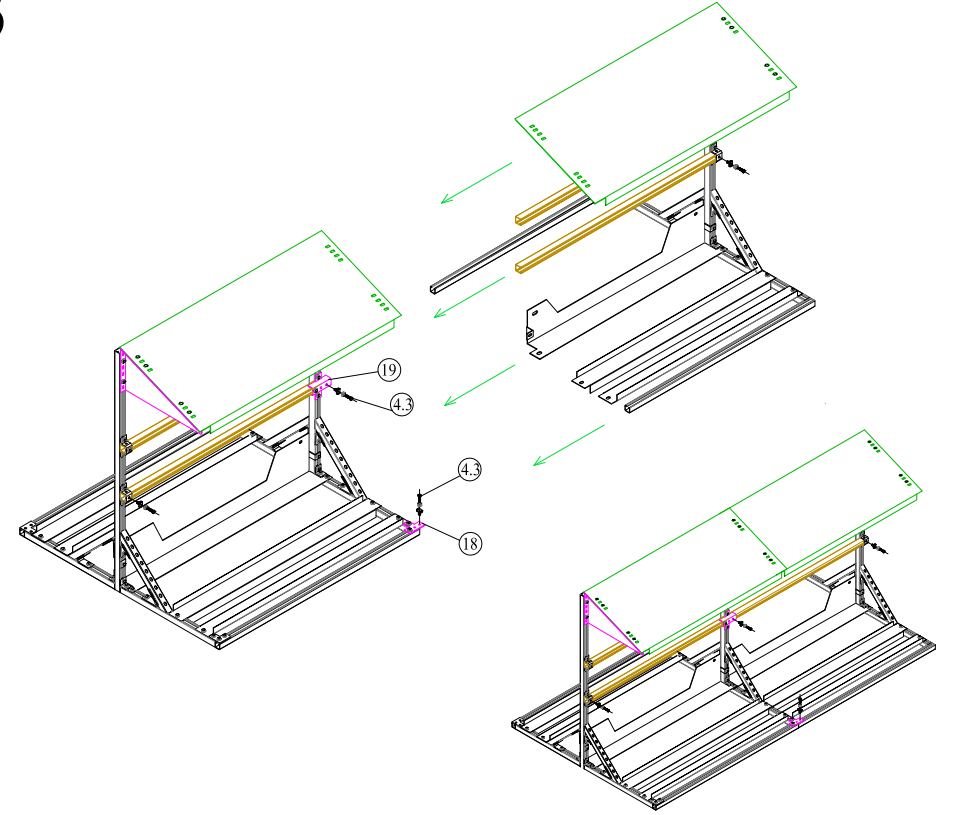
PART NO	WATTSON POWER CODE	PC
12	GCP-32 D	4 PC
4.3	M12X35 D+GCCA-4 D +GB-33 D GB-23 D	6 PC
4.1	G-ÖZEL-KAPAK-KNSL D	2 PC
4	G-ÖZEL-1415-KAPAK D	1 PC
4.2	GB-2/M8X20 D+GB-31 D	8 PC
16	GC-D-2/1480 D	2 PC
17	M12X70 D+GB-13 D +GB-33 D GB-23 D	14 PC



DRAWN BY	G.GÜMÜŞOK	DOCUMENT NO	2	SCALE	PV SHELTER TYPE-2
CHECKED BY	O.KAPUSUZ	REVISION NO	1		
APROVED BY	A.WIERSMA / İ.ERGIN M.GÜNAL	REVISION HISTORY	1	SCALE	WATTSON POWER
PAGE NO	1	PUBLICATION DATE	18.04.2023		

PART NO	WATTSON POWER CODE	PC
18	GCP-19 D	2 PC
4.3	M12X35 D+GCCA-4 D +GB-33 D GB-23 D	30 PC
19	GCP-38 ÖZL-1 D	2 PC
20	RUBBER FOOT	3 PC
10	GC-D-2/1500 D	2 PC
2	G-ÖZEL-1415-YÜK D	4 PC
1	G-ÖZEL-1415-ARA D	1 PC
16	GC-D-2/1480 D	2 PC
11	G-CPRF-DSTK-500-1 D	1 PC
3	G-CPRF-DSTK-500 D	1 PC
9	GCP-17 D	2 PC
4,1	G-ÖZEL-KAPAK-KNSL D	1 PC
4	G-ÖZEL-1415-KAPAK D	1 PC
4,2	GB-2/M8X20 D+GB-31 D	4 PC
8	GCP-28 D	2 PC
14	GC-D-2/1830 D	2 PC
6	GC-D-2/708 D	2 PC

TYPE-3



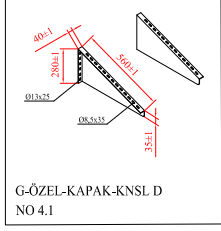
WELDING 135 MAG WELDING
MATERIALS EN 10204 3.1
COATING HOT DIP GALVANISED BS EN ISO 1461

DRAWN BY	G.GÜMÜŞOK	DOCUMENT NO	3
CHECKED BY	O.KAPUSUZ	REVISION NO	1
APROVED BY	A.WIERSMA / İ.ERGİN M.GÜNAL	REVISION HISTORY	1
PAGE NO	1	PUBLICATION DATE	18.04.2023

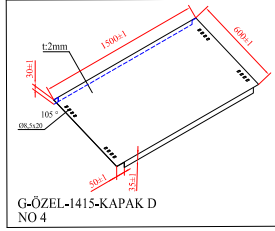
SCALE

**PV SHELTER
TYPE-3**

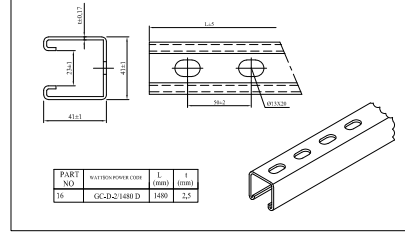
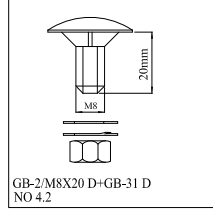
WATTSON POWER



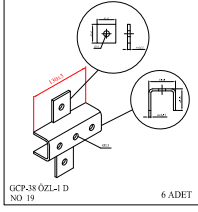
G-ÖZEL-KAPAK-KNSL D
NO 4.1



G-ÖZEL-1415-KAPAK D
NO 4

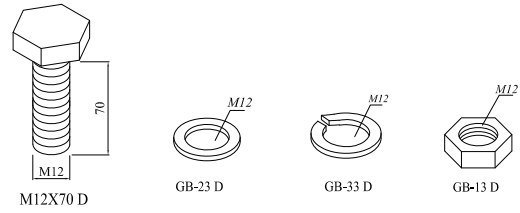
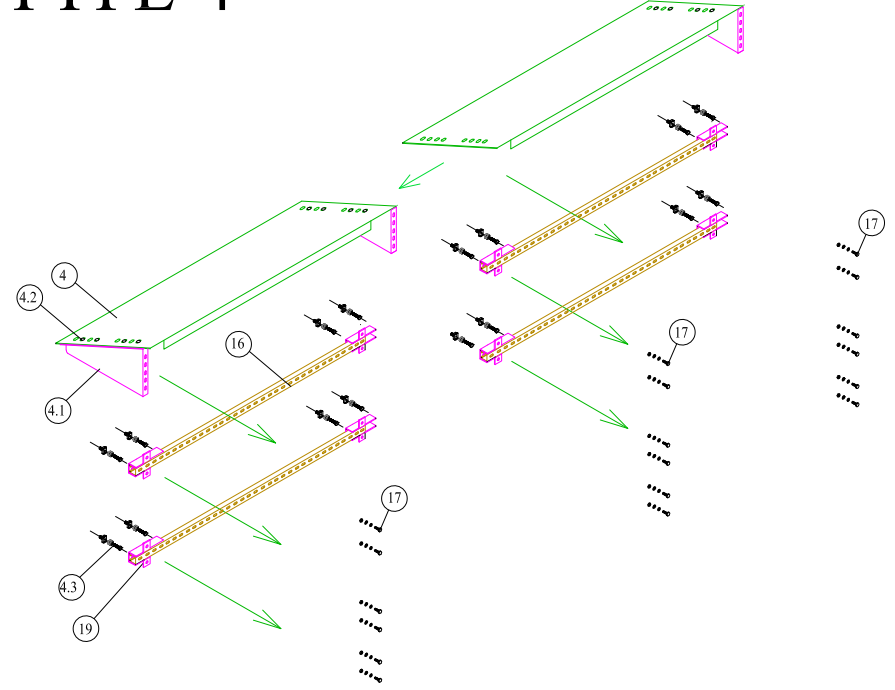



GB-2/M8X20 D+GB-31 D
NO 4.2



GCP-38 ÖZL-1 D
NO 19 6 ADET

TYPE-4



M12X70 D

GB-23 D

GB-33 D

GB-13 D

M12X70 D+GB-13 D +GB-33 D GB-23 D
NO 17

14 PC

COATING
HDG

PART NO	WATTSON POWER CODE	PC
19	GCP-38 ÖZL-1 D	2 PC
4.1	G-ÖZEL-KAPAK-KNSL D	1 PC
4	G-ÖZEL-1415-KAPAK D	1 PC
4.2	GB-2/M8X20 D+GB-31 D	10 PC
16	GC-D-2/1480 D	2 PC
17	M12X70 D+GB-13 D +GB-33 D GB-23 D	14 PC

DRAWN BY	G.GÜMÜŞOK	DOCUMENT NO	4	SCALE	PV SHELTER TYPE-4
CHECKED BY	O.KAPUSUZ	REVISION NO	1		
APROVED BY	A.WIERSMA / İ.ERGIN M.GÜNAL	REVISION HISTORY	1	SCALE	WATTSON POWER
PAGE NO	1	PUBLICATION DATE	18.04.2023		